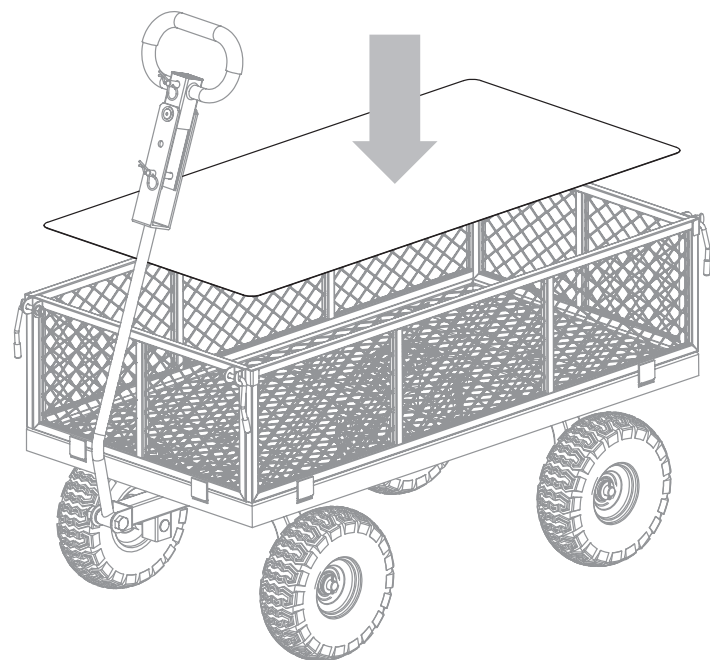
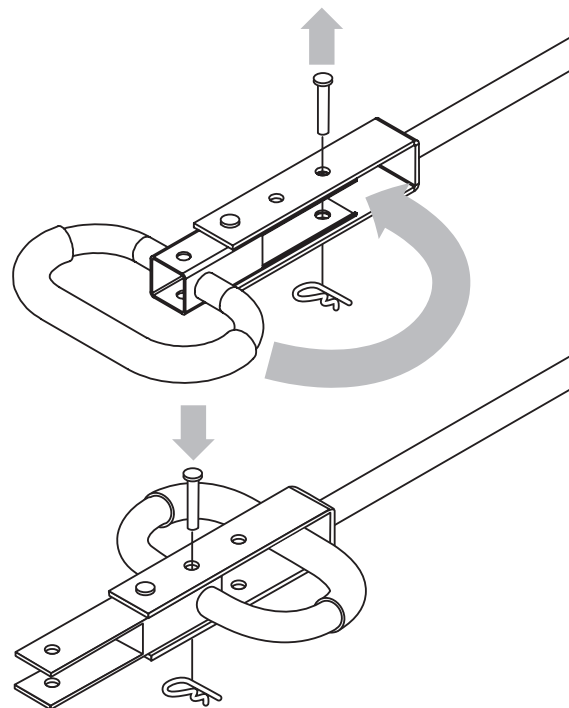


6**7****IMPORTANT SAFETY INSTRUCTIONS**

1. Read, understand and follow ALL instructions before using this product.
2. Do not exceed the overall maximum load capacity of **362 kg**. The weight rating is based on an evenly distributed load.
3. Do not load items on the top edges of the panels. Remove panels before loading oversized items.
4. Distribute the load evenly over the surface of the bed.
5. Do not allow children to use the cart without supervision. This cart is not a toy.
6. Do not use this cart for transporting passengers.
7. This cart is not intended for highway use.
8. Do not exceed 5 mph.
9. If any parts become damaged, broken or misplaced, do not use the cart until replacement parts have been obtained.
10. Do not use the cart on surfaces or for transporting objects that can cause damage to the pneumatic tires or tubes.

DO NOT INFLATE TIRES TO MORE THAN 30 PSI (2.07 BAR).

11. It is recommended that the cart be inspected for damage before each use.
12. KEEP THESE INSTRUCTIONS FOR FURTHER REFERENCE.

3Pillar Group
 GF04/12 Cato Street
 Hawthorn East 3123 Victoria Australia
www.3pillargroup.com.au
 1-800-867-6763

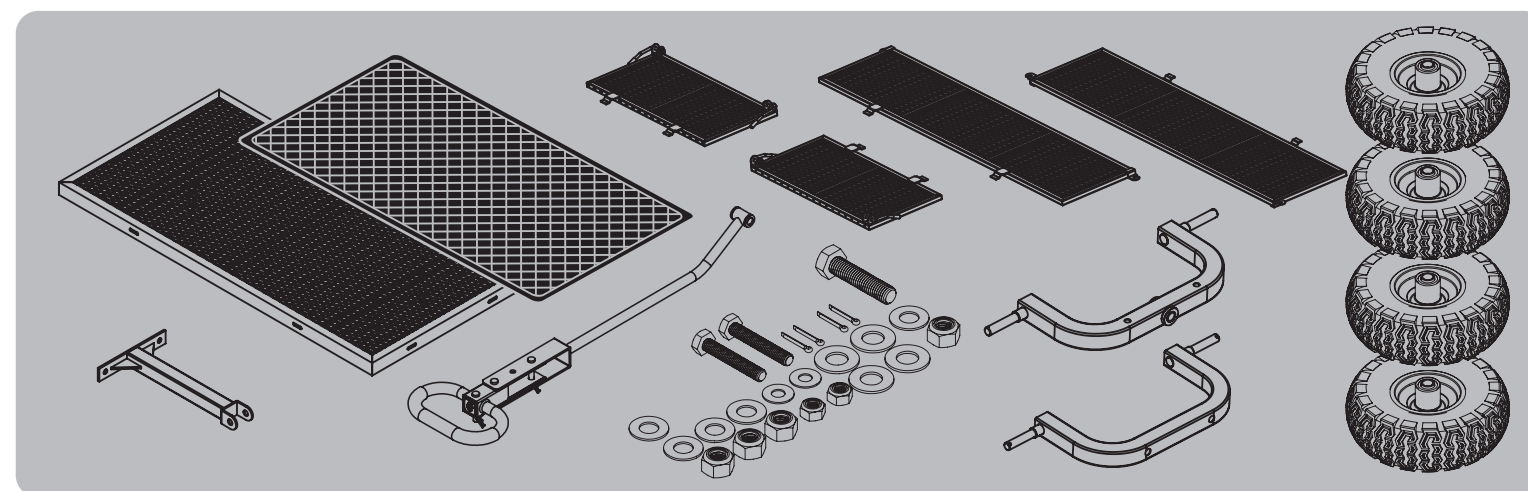
181459A

**GORILLA CARTS®**

MODEL # GOR801-AU
 ITEM #: 3361038

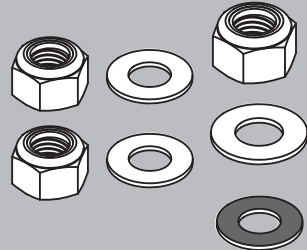


Gorilla Carts® are covered by several issued and pending US and international patents.
 For more information, please visit www.gorillacarts.com/patents

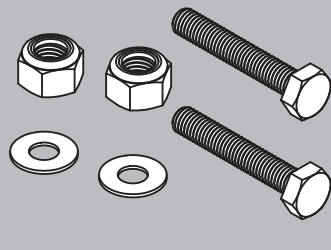


HARDWARE

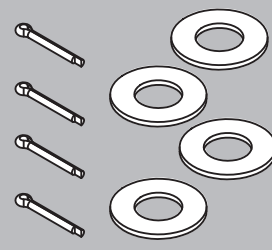
STEP 1



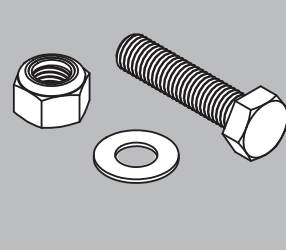
STEP 2



STEP 3



STEP 4

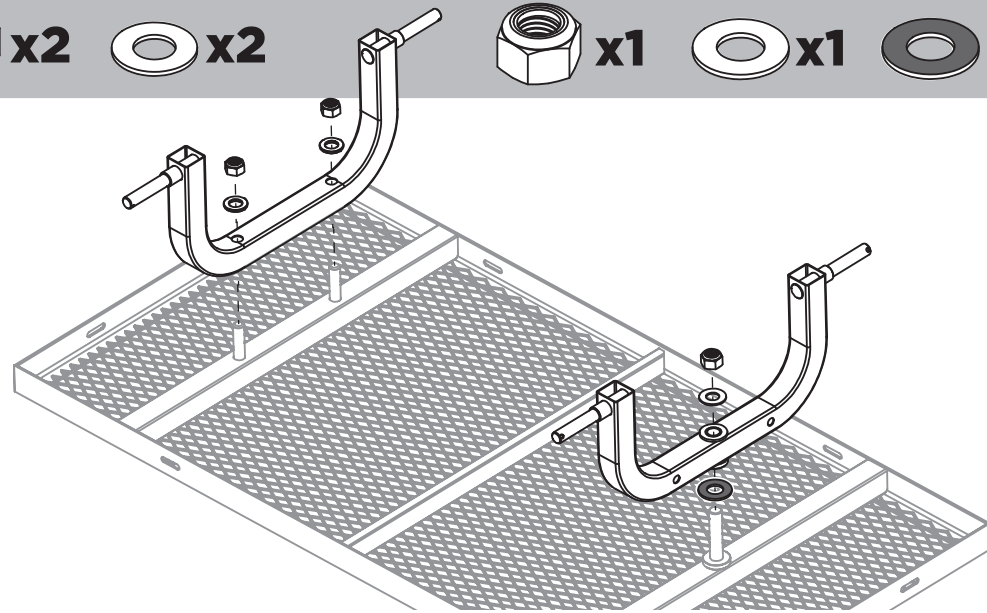


TOOLS REQUIRED

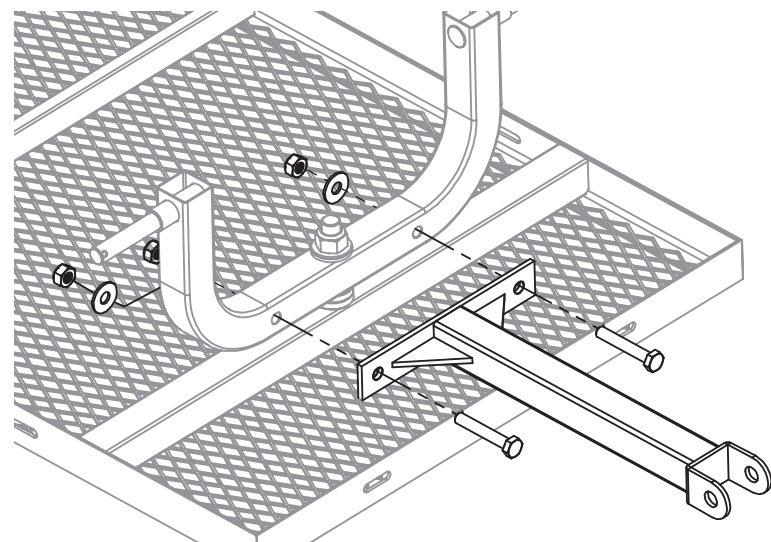


ASSEMBLY INSTRUCTIONS

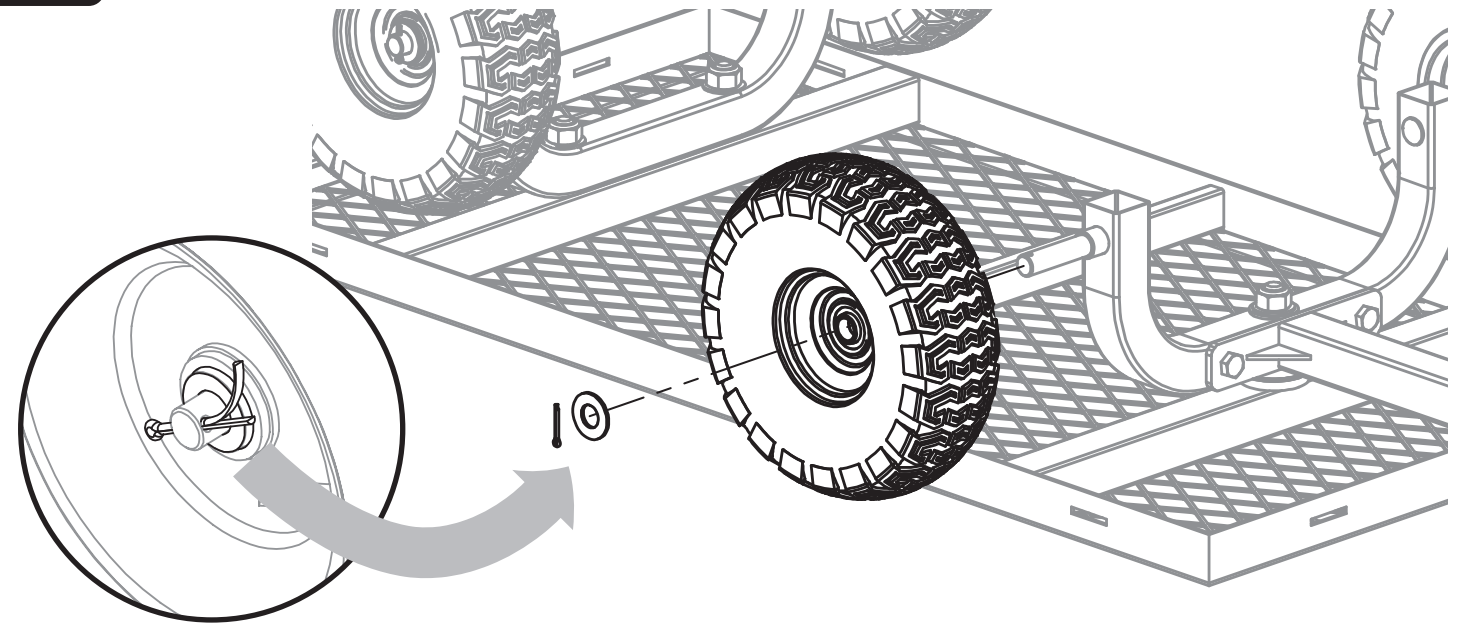
1



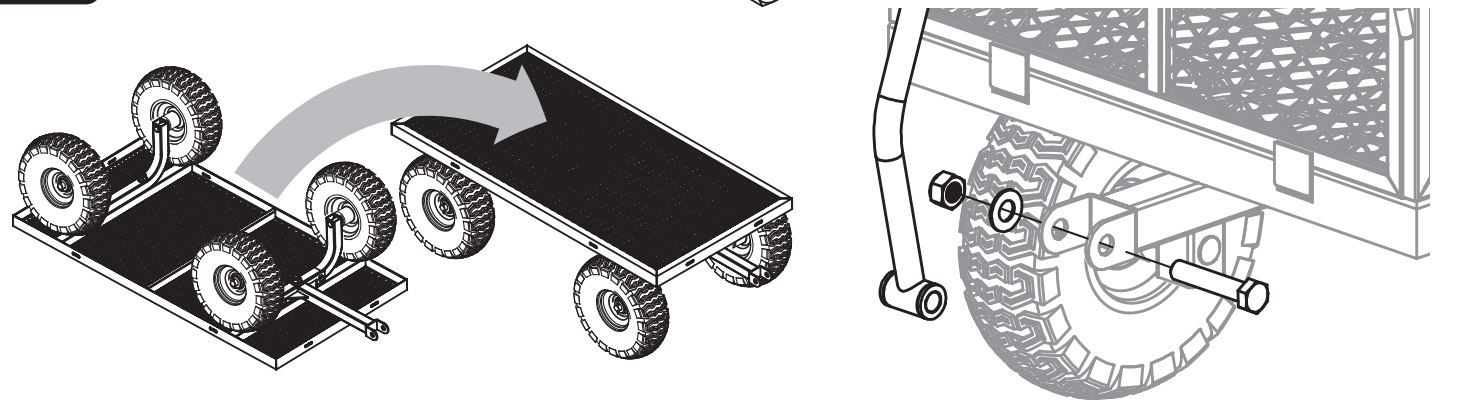
2



3



4



5

